

PARQUE URBANO CARCAVELOS - SUL

- 04210

ANTE PROJECTO

OUTUBRO 2013

Divisão de Planeamento e Ordenamento do Território

7.1 anexo de iluminação



Thorlux

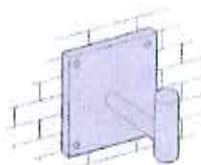
AZMET 3

04211

Spares and Accessories

DESCRIPTION	CAT. No.
Glass cover (new white cover)	AZ 10179
Glass cover (old black cover)	AZ 7276
GES (E40) porcelain skirted lampholder	LH 5034
Wall bracket - for use with fixed-head versions	AZ 7277
Pole clamp assembly - for use with cradle mounted versions (for 50-100mm dia. poles)	PC 5108
Pole top adaptor - for mounting one fixed-head luminaire on 89mm dia. poles	AZ 7279

Poles and Adaptors *see page 28*



Wall bracket - AZ 7277

For use with fixed-head versions.
Allows adjustment in the azimuth plane. Steel, galvanised.

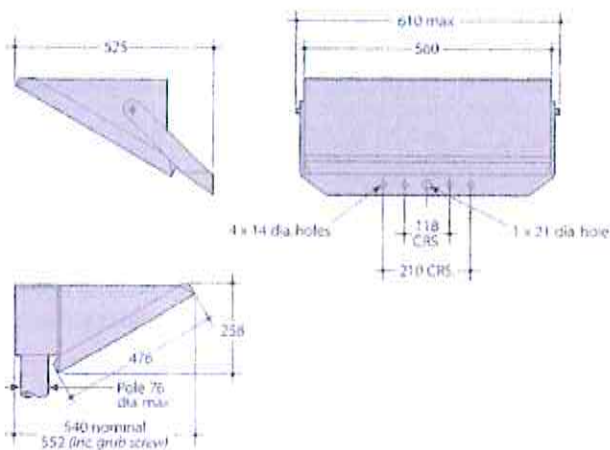
Fixings: 4 x 14 diameter holes on 230 x 230 centres.

Options

DESCRIPTION	SUFFIX
Photocell	PC

e.g. AZ 10180PC etc.

NOTE: Photocell versions are not BSI kite-marked or ENEC approved.



FL444 Floodlight

A highly efficient high-powered compact floodlight, for lighting large areas such as stadiums. Various options and large wattage options make the FL444 suitable in a wide range of circumstances where high illumination is needed.

FEATURES

- Cast aluminium body.
- High temperature resistant toughened front glass.
- For use with lamps of 1000w to 2000w, all with remote control gear.
- Choice of two beam options.
- Asymmetric options have an integral baffle to control upward spread of light.
- Power cut-off safety switch fitted to all versions except GES types (SON and MBI).
- Projector version uses short arc lamps (HQI-TS2 and MHN-SA).

OPTIONS AND EXTRAS

- Narrow asymmetric (for side lighting of sports stadiums etc.), or Projector narrow 'pencil' (for lighting over long distances such as corner towers of stadiums) beam options.
- Louvre option to reduce sideways distribution.
- Low glare baffle option to reduce upward light.
- Airport baffle option for use in and around airport sites where a high degree of light control above the horizontal is needed.
- Choice of RAL colours at extra cost – see inside back cover for details.



FL444 at Dahan Stadium

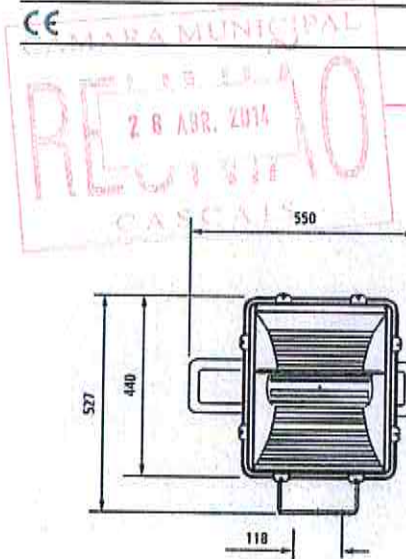
Recommended Applications: High masts, airports, ports, sports facilities, architecture, industrial areas.

Suggested Column: 12 - 50m, for fixing on a floodlight bracket.

Wind area: 0.19m²

Stirrup fixing

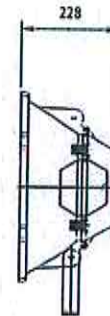
IP54



FL444



FL444/Narrow



Description	Product Number	Weight
Luminaire Reference	FL444	10.8 kg
1000w SON/T lamp	1000SONT	0.4 kg
1000w MBI/T lamp	1000MBIT	0.4 kg
1000w MHN/LA lamp	1000MHNLA	0.7 kg
1000w HQI/TS lamp	1000HQI	0.7 kg
2000w HQI/TS lamp	2000HQI	1.1 kg
2000w MHN/SA lamp	2000MHNSA	1.1 kg
2000w MHN/LA lamp	2000MHNLA	1.1 kg
Narrow Asymmetric Beam	NARROW	-
Projector Beam	PROJ	-
Options (first three are mutually exclusive)		
Louvers	L	
Airport Baffle (1000w SON-T only)	S80	
Low Glare Baffle	B	
Instant restrike system (2kw projector only)	IR	
Special colour RAL number	RAL	

FLOODLIGHTING

FL500 Floodlight

A unique zero light pollution floodlight with an internally angled flat glass, and a main beam at 65 degrees, so no external light control is required. This enables it to light a larger area than equivalent low light-pollution floodlights, without unsightly cowls. It is suitable for areas where a high degree of light control is required, such as airport aprons.

FEATURES

- Recyclable die-cast aluminium body.
- Highly efficient reflector design with 65 degree main beam, which enables greater spacings to be used.
- High-temperature-resistant toughened glass window.
- Stirrup fixing.
- IP65 sealed lamp and gear compartment, with an activated charcoal filter.
- Integral gear up to 600w, and up to 1000w MHNLA with remote control gear

OPTIONS AND EXTRAS

- NEMA socket/photocell or Miniature photocell options.
- Choice of RAL colours at extra cost – see inside back cover for details.



FL500

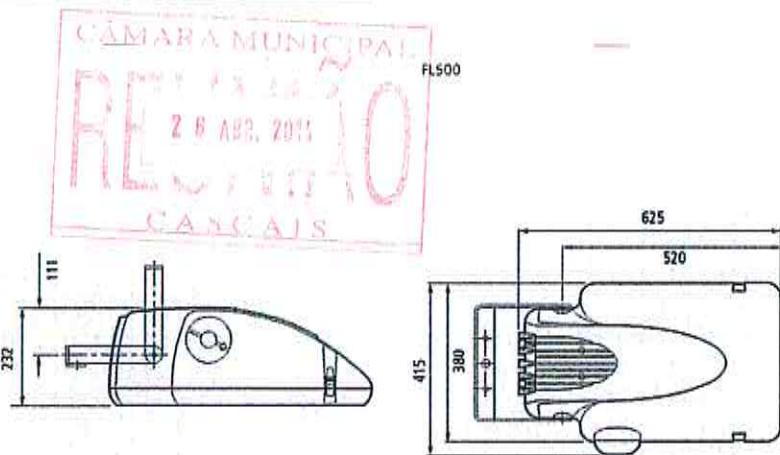
Recommended Applications: High masts, ports, airports, car parks, sports facilities, architecture, railways.

Suggested Column: 8-30m, for fixing on a floodlight bracket.

Wind area: 0.12m²

Stirrup fixing

IP65



FL500

Description	Product Number	Weight
Luminaire Reference	FL500	13.8 kg
100w SON/T control gear	100SONT	2.1 kg
150w SON/T control gear	150SONT	2.8 kg
250w SON/T control gear	250SONT	3.9 kg
400w SON/T control gear	400SONT	5.3 kg
600w SON/T control gear	600SONT	7.3 kg
100w CDM control gear	100CDMTT	2.1 kg
150w CDM control gear	150CDMTT	2.8 kg
250w MBI control gear	250MBIT	3.9 kg
400w MBI control gear	400MBIT	5.3 kg
1000w MHN no control gear	1000MHNLA	0.2 kg
Options		
NEMA photocell socket	NEMA	-
Instant restrike system (250/400w only)	IR	-
Special colour RAL number	RAL	-

FL550 Floodlight

A zero light pollution floodlight designed to provide full control of the light output with no glare and no upward light. Most suitable for use on sports stadiums, airport aprons and other areas where a very high degree of light control is required, and spill light minimized. A floodlight with an internally angled flat glass, and a main beam at 65degrees, so no external light control is required. This enables it to light a larger area than equivalent low light-pollution floodlights, without unsightly cowls.

FEATURES

- Die-cast aluminium body.
- IP65 sealed floodlight.
- For use with lamps of 1000w to 2000w, all with remote control gear.
- High specular finish reflector with 65 degree main beam.
- High temperature resistant toughened glass window.
- Stirrup fixing.
- Power cut-off safety switch fitted to all FL550 floodlights except SONT and MBIT versions.

OPTIONS AND EXTRAS

- Choice of RAL colours at extra cost – see inside back cover for details.



Recommended Applications: Sports facilities, high masts, airports, ports, industrial areas, railways.

Suggested Column: 15 - 50m, for fixing on a floodlight bracket.

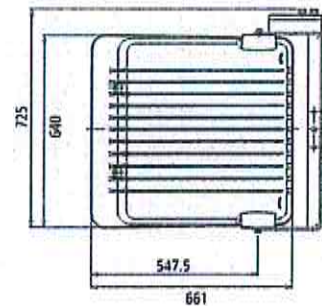
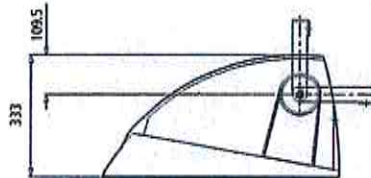
Wind area: 0.24m²

Stirrup fixing

IP65



FL550



FL550

Description	Product Number	Weight
Luminaire Reference	FL550	23.3 kg
1000w SON/T lamp	1000SONT	0.4 kg
1000w MBIT lamp	1000MBIT	0.4 kg
1000w MHN/LA lamp	1000MHNLA	0.7 kg
2000w MHN/LA lamp	2000MHNLA	1.1 kg
Options		
Special colour RAL number	RAL	

Orion Junior et Senior : projecteurs pour éclairage sportif et illuminations

Les Orion Junior et Senior sont des projecteurs conçus pour l'éclairage sportif et l'illumination d'espaces architecturaux.



Applications :

- illuminations
- espaces architecturaux
- éclairages sportifs
- parkings
- espaces verts ...

Gamme de 2 tailles couvrant toutes les sources et les puissances de 70 à 400 W

Classe électrique
Classe 1

Indice de Protection
IP 65, bloc optique et appareillage électrique

IK 08, verre trempé thermique

Corps

En aluminium injecté, en 2 parties

Fermeture

Glace en verre trempé thermique solidaire du corps

Réflecteur

Aluminium traité-anodisé :

- Symétrique Intensif SI ou Extensif SE
- Asymétrique linéaire AI ou Extensif AE
- Circulaire Intensif CI

Appareillage électrique

Incorporé, armoire cablé sur plateau amovible

Maintenance

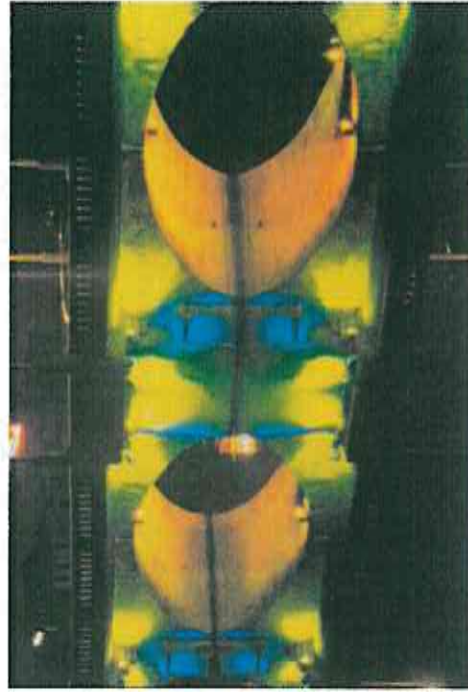
L'ouverture de la face avant permet l'accès à la lampe et à l'appareillage

Installation

Fixation sur tige en acier

Accessoires

- visière
- déflecteur à volets
- paralume à lames verticales ou horizontales
- support filtre en inox
- filtres de couleur



Finition
Technologique par poudrage
Teinte : noir RAL 9005
Sans option couleur



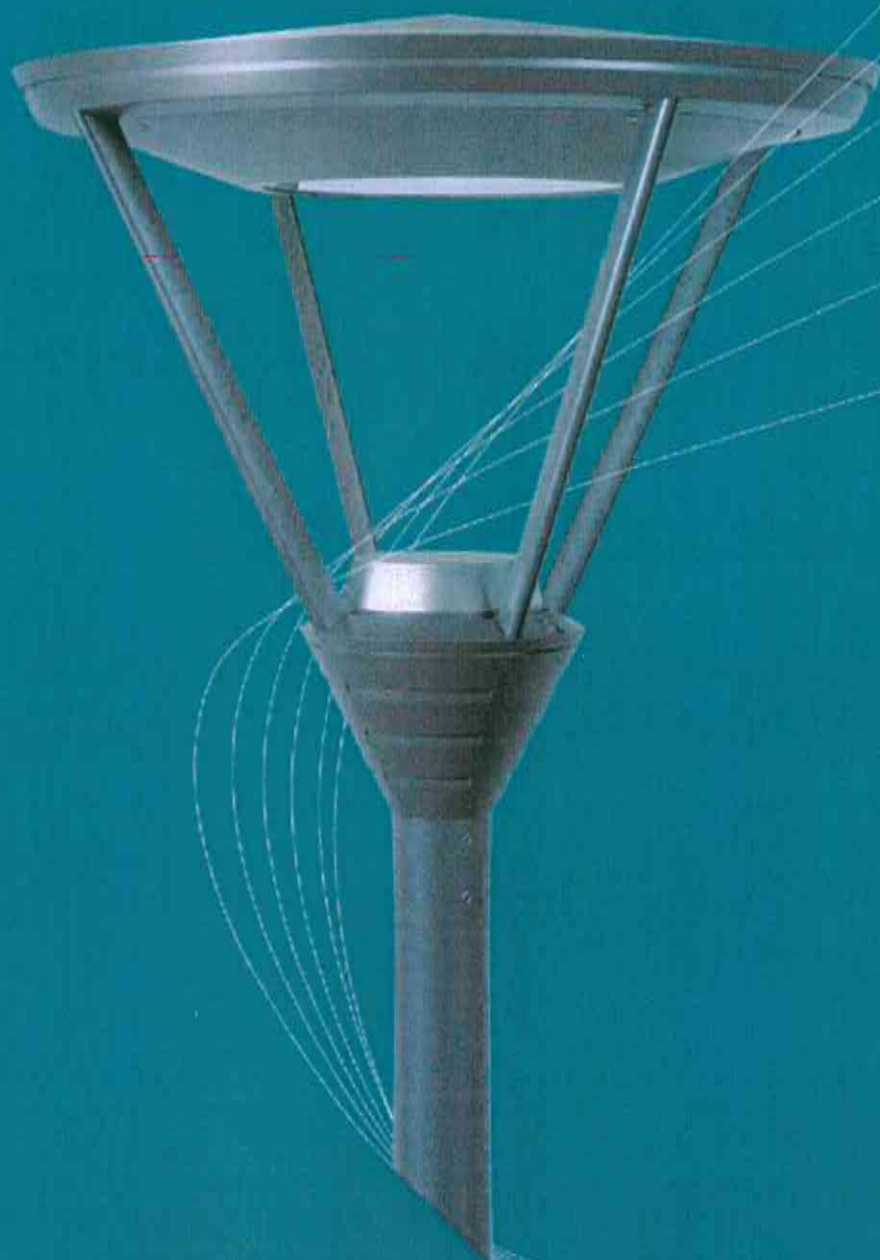
04213

Repères Prescripteurs Orion®

- Projecteur IP 65 - bloc optique et appareillage électrique
- Corps en aluminium injecté
- Réflecteurs aluminium brillant haute performance
- Paralumes, déflecteur à volets, visière et filtres couleur



fiche produit Orion page 225

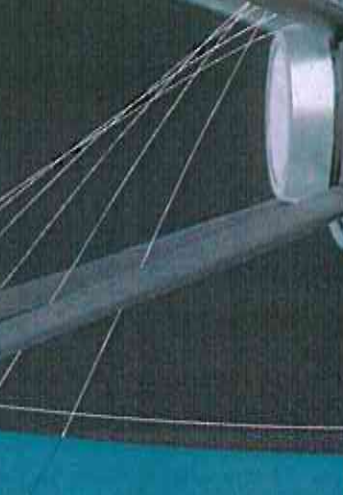
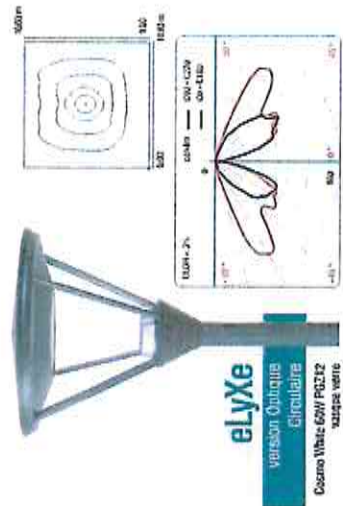


eLyXe

design LUC DAVY

Réflecteur	SIP E27	SIP E40	IM G12	IM E40	Complet	Recompact
LX-A (optique résiline)	50 W / 70 W / /	35 W / 70 W / 100 W / 150 W / /	35 W / 70 W / 100 W / 150 W / /	70 W / / /	45 W / 50 W / 140 W / / /	/ / /
LX-C (optique circulaire)	50 W / 70 W / /	35 W / 70 W / 100 W / 150 W / /	35 W / 70 W / 100 W / 150 W / /	70 W / / /	45 W / 50 W / 140 W / / /	/ / /
LX-A (optique asynchrone)	50 W / 70 W / /	35 W / 70 W / 100 W / 150 W / /	35 W / 70 W / 100 W / 150 W / /	70 W / / /	45 W / 50 W / 140 W / / /	/ / /
LX-F (Parabole)	50 W / 70 W / /	35 W / 70 W / 100 W / 150 W / /	35 W / 70 W / 100 W / 150 W / /	70 W / / /	45 W / 50 W / 140 W / / /	42 W / 57 W /
LX-H (Hémisphère)	/ / /	/ / /	35 W / 70 W / 100 W / 150 W / /	/ / /	45 W / 50 W / 140 W / / /	/ / /
LX-O (Ovale)	/ / /	/ / /	35 W / 70 W / 100 W / 150 W / /	/ / /	45 W / 50 W / 140 W / / /	/ / /

Distributions photométriques



Description luminaire

- IP 66 (optique et appareillage)
- Classe I ou II
- Corps en fonderie d'aluminium injecté : Corps supérieur composé de deux pièces principales en aluminium injecté et une doucine en aluminium repoussé
- Socle inférieur en aluminium extrudé
- Bras en aluminium extrudé
- Vasque en verre clair, IK 08
- Optiques en aluminium brillant, anodisé
- Appareillage dans le corps supérieur du luminaire
- Globe protecteur en Polycarbonate clair sur versions Parabolique et Domino, IK10
- Pré-câblage des luminaires en usine

Poids - Scx (appareillage non incorporé)

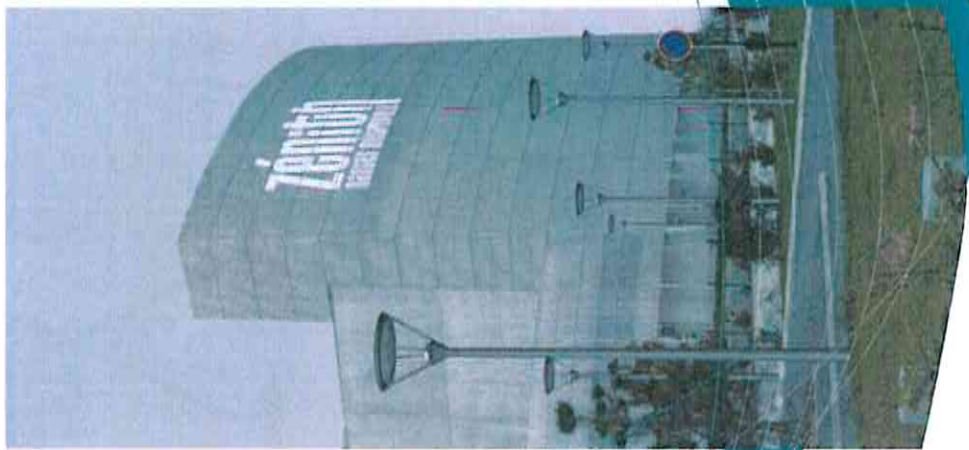
Poids : 1,4 kg
Elyxe, versions ouvertes : 0,08 m²
Elyxe, versions fermées : 0,16 m²

Finition

Thermolaqueage par poudrage polyester

Efficacité lumineuse et économie d'énergie

- Elyxe garantit une économie d'énergie tout en minimisant l'éblouissement et les nuisances lumineuses
- Elyxe est éligible au Certificat d'Economie d'Energie



CĂMARA MUNICIPALĂ
REPUBLICANĂ
20 APR. 2014
CASCAȘ

